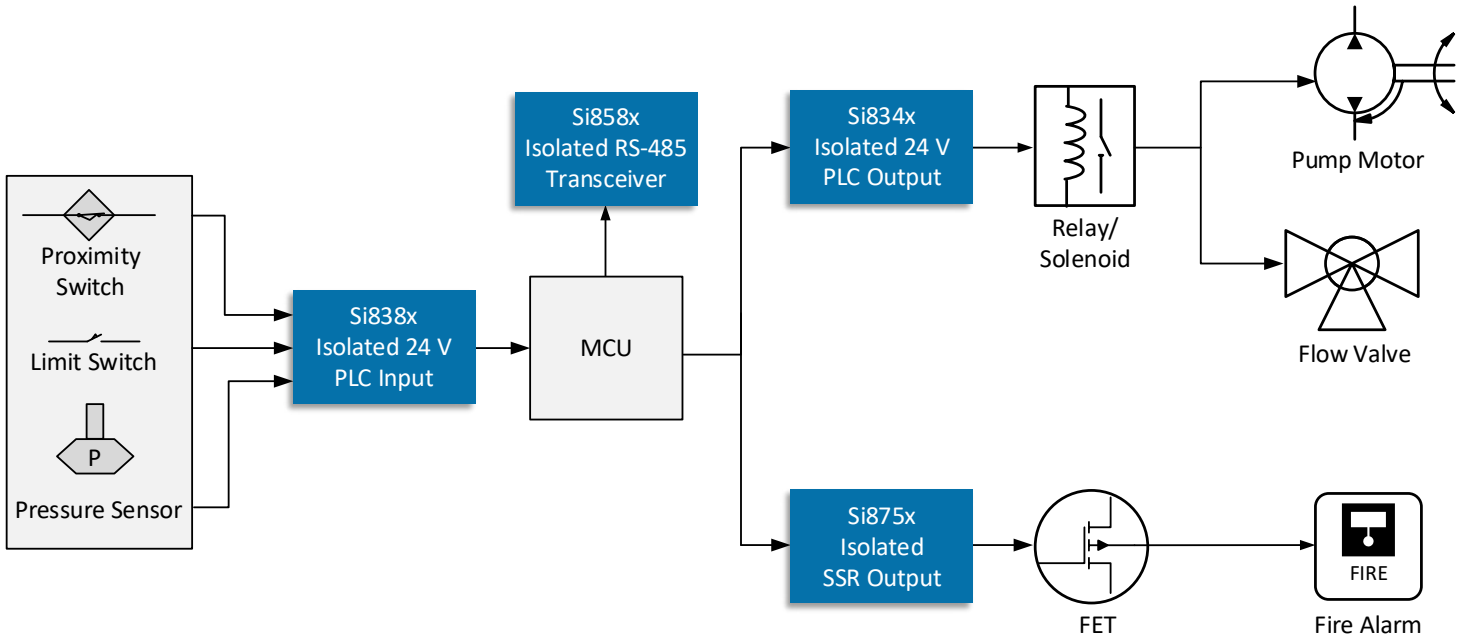




## **Ensure Reliable Control of Industrial Automation and Robotics With Skyworks Isolation Solutions**

Our isolated smart switches efficiently drive resistive and inductive loads like solenoids, relays, and lamps in industrial control systems. Skyworks' CMOS digital isolators create smaller, higher performance, and more reliable isolated circuits at lower cost and power consumption compared to other optocoupler solutions. Additionally, our isolated transceivers integrate robust RS-485 transceivers with signal isolation for enhanced reliability.

[skyworksinc.com](http://skyworksinc.com)



## Featured Products

### Si834x Isolated Smart Switches

- High resolution attenuator (DSA) for wide TX/RX gain compensation
- AEC-Q104 Grade 2 rating (-40 °C to +105 °C)
- Reference designs simplify development

### Si838x Digital 24 V Input Isolators

- IEC 61131-2 and UL-1577 compliant
- 8 input channels, sourcing/sinking
- Debounce options

### Si858x Isolated RS-485 Transceivers

- Ideal for fieldbus systems such as Profibus or Modbus
- Signaling rates up to 10 Mbps with slew rate limited 1 Mbps option
- One to six bi- and uni-directional channels for advanced communication requirements

